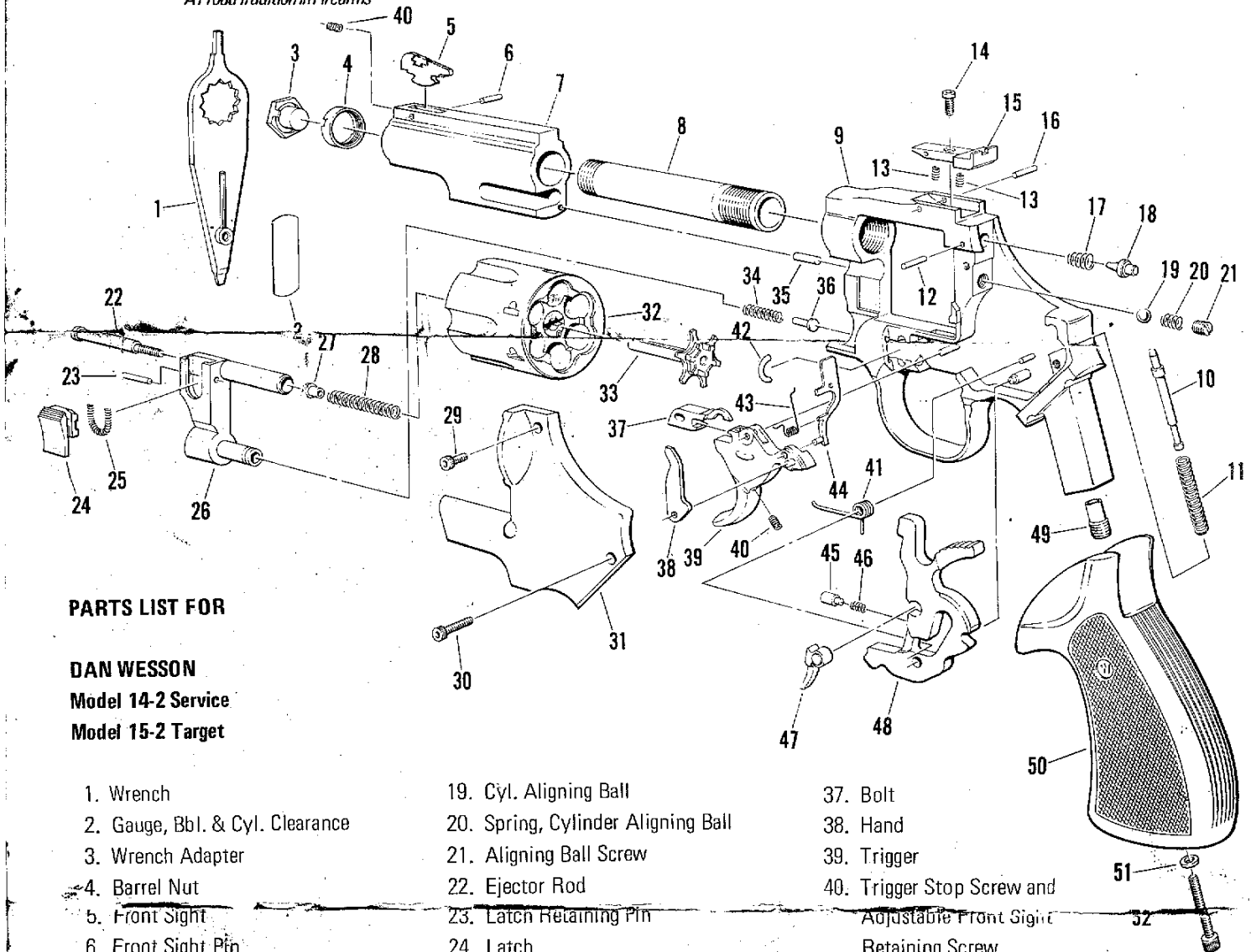




A Proud Tradition in Firearms

293 MAIN STREET  
 MONSON, MASS. 01057  
 (413) 267-4081



**PARTS LIST FOR**

**DAN WESSON**  
 Model 14-2 Service  
 Model 15-2 Target

- |   |                                    |   |
|---|------------------------------------|---|
| 1. Wrench                               | 19. Cyl. Aligning Ball             | 37. Bolt  |
| 2. Gauge, Bbl. & Cyl. Clearance         | 20. Spring, Cylinder Aligning Ball | 38. Hand  |
| 3. Wrench Adapter                       | 21. Aligning Ball Screw            | 39. Trigger   |
| 4. Barrel Nut                           | 22. Ejector Rod                    | 40. Trigger Stop Screw and Adjustable Front Sight Retaining Screw |
| 5. Front Sight                          | 23. Latch Retaining Pin            | 41. Trigger Return Spring   |
| 6. Front Sight Pin                      | 24. Latch                          | 42. Crane Lock  |
| 7. Shroud                               | 25. Latch Spring                   | 43. Hand Spring   |
| 8. Barrel                               | 26. Crane                          | 44. Connector   |
| 9. Frame                                | 27. Ejector Rod Bushing            | 45. Strut Plunger   |
| 10. Main Spring Guide                   | 28. Ejector Spring                 | 46. Strut Spring  |
| 11. Main Spring                         | 29. Short Side Plate Screw         | 47. Strut   |
| 12. Firing Pin Retaining Pin            | 30. Long Side Plate Screw          | 48. Hammer  |
| 13. Rear Sight Elevation Tension Spring | 31. Side Plate                     | 49. Mainspring Seat   |
| 14. Rear Sight Elevation Screw          | 32. Cylinder                       | 50. Grip  |
| 15. Rear Sight Bolt                     | 33. Extractor                      | 51. Grip Screw Washer   |
| 16. Rear Sight Aligning Pin             | 34. Bolt Spring                    | 52. Grip Screw  |
| 17. Firing Pin Spring                   | 35. Shroud Locating Pin            |   |
| 18. Firing Pin                          | 36. Bolt Plunger                   |   |